



The system 181

FOR pH, DISSOLVED OXYGEN, TURBIDITY OR CONDUCTIVITY –
EASY. DIGITAL. RELIABLE.



a xylem brand

Controller 181 –

- IQ entry level - one controller, one sensor
- Digital – for reliable data transfer
- WTW quality – proven, robust, durable

Great technology at low price

Get decades of experience from WTW and use the established technology. With the excellent cost-performance ratio you can save time, work and money!



pH

D.O.

Turb

Cond

Flexibility

Our digital controller DIQ/S 181 for pH, dissolved oxygen, turbidity or conductivity enables sensor changes at any time - and cable lengths of up to 250 m.

1 Controller. 1 Sensor.

Get started into the digital world and stay sustainable with the state-of-the-art technique. No preamplifier, reliable data transfer, automatic sensor recognition!



Applications

Developed for wastewater, successfully in drinking water and process for years: The robust products of WTW are made for any application. Try it yourself!



In drinking water: SensoLyt® 700 IQ F for different pH ranges



In the aeration: calibration free FDO 700 IQ F for dissolved oxygen



In the outlet: VisoTurb® 700 IQ F turbidity sensor with ultrasonic cleaning



In the process: TetraCon® 700 IQ F 4 electrodes conductivity cell

Your benefits at a glance

You want to replace or renew your analog measuring point? Then the WTW system 181 offers an extremely cost-effective solution:

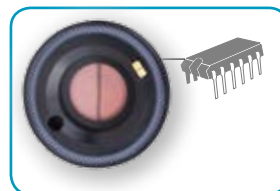
- reliable
- cost-effective
- durable
- low maintenance
- calibration free



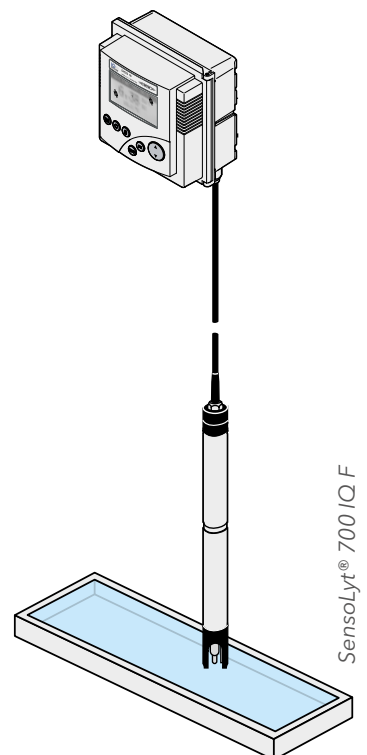
Robust technique by titanium shaft



Ultrasonic cleaning for turbidity



Calibration free D.O. sensor cap



SensoLyt® 700 IQ F

The system 181 at the web



Detailed technical data and mounting accessories you can find under www.wtw.de/en/iqsn-181 (For convenience use our QR code).

Technical data

Connectable sensors	1 sensor with 10 m fixed cable
Current outputs and relays	2 x (0) 4-20 mA 3 x relays
Parameters	pH 0 ... 14 (e.g. with electrode SensoLyt® DWA) ORP ±2000 mV Cond 10 µS/cm ... 500 mS/cm D.O. 0.0 ... 60.0 mg/l bzw. 0 ... 600 % (electrochemical) D.O. 0 ... 20.00 mg/l bzw. 0 ... 200.0 % (optical) Turbidity 0.05 ... 4000 FNU
Cable length sensor	10 m fixed cable
Max. total cable length	250m (DIQ/JB and SNCIQ Cable per meter are required)
Power supply	Wide range mains converter (100-240VAC) or 24V
Connectable modules	DIQ/CHV (Cleaning Head Valve)

Order information

Model	Description	Order No.
Controller		
DIQ/S 181	Universal controller to connect 1 digital IQ F-sensor, with 2 x (0)4-20 mA and 3 x relays.	472 100
DIQ/S 181/24V	Universal controller to connect 1 digital IQ F-sensor, with 2 x (0)4-20 mA and 3 x relays, for 24 V AC/DC power supply.	472 101
Sensors		
SensoLyt® 700 IQ F	pH/ORP sensor with 10 m fixed cable for SensoLyt® electrodes.	109 177
TriOxmatic® 700 IQ F	D.O. sensor with 10 m fixed cable, supplied with accessory kit (ZBK 600).	201 643
FDO 700 IQ F	Calibration free optical D.O. sensor with 10 m fixed cable, factory calibrated.	201 656
FDO 701 IQ F	Calibration free optical D.O. sensor with 10 m fixed cable, factory calibrated, with fast response.	201 658
TetraCon® 700 IQ F	4 electrode conductivity cell with 10 m fixed cable.	302 507
VisoTurb® 700 IQ F	Turbidity sensor with 10 m fixed cable and ultrasonic cleaning.	600 007
SensoLyt® electrodes		
SensoLyt® SEA	pH electrode, measuring range 2 ... 12 pH, for use with SensoLyt® 700 IQ F	109 115
SensoLyt® SEA-HP	pH electrode, measuring range 4 ... 12 pH, for use with SensoLyt® 700 IQ F	109 118
SensoLyt® DWA	pH electrode, measuring range 0 ... 14 pH, for use with SensoLyt® 700 IQ F	109 119
SensoLyt® ECA	pH electrode, measuring range 2 ... 12 pH, for use with SensoLyt® 700 IQ F	109 117
SensoLyt® PtA	ORP electrode, measuring range ± 2000 mV, for use with SensoLyt® 700 IQ F	109 125



WTW Wissenschaftlich-Technische Werkstätten GmbH · Dr.-Karl-Slevogt-Straße 1 · D-82362 Weilheim, Germany
Phone: +49 881 183-0 · Fax: +49 881 183-420 · E-Mail: Info.WTW@XylemInc.com · www.wtw.com

All names are registered tradenames or trademarks of Xylem Inc. or one of its subsidiaries. Technical changes reserved.
© 2014 WTW GmbH. 999148US January 2015